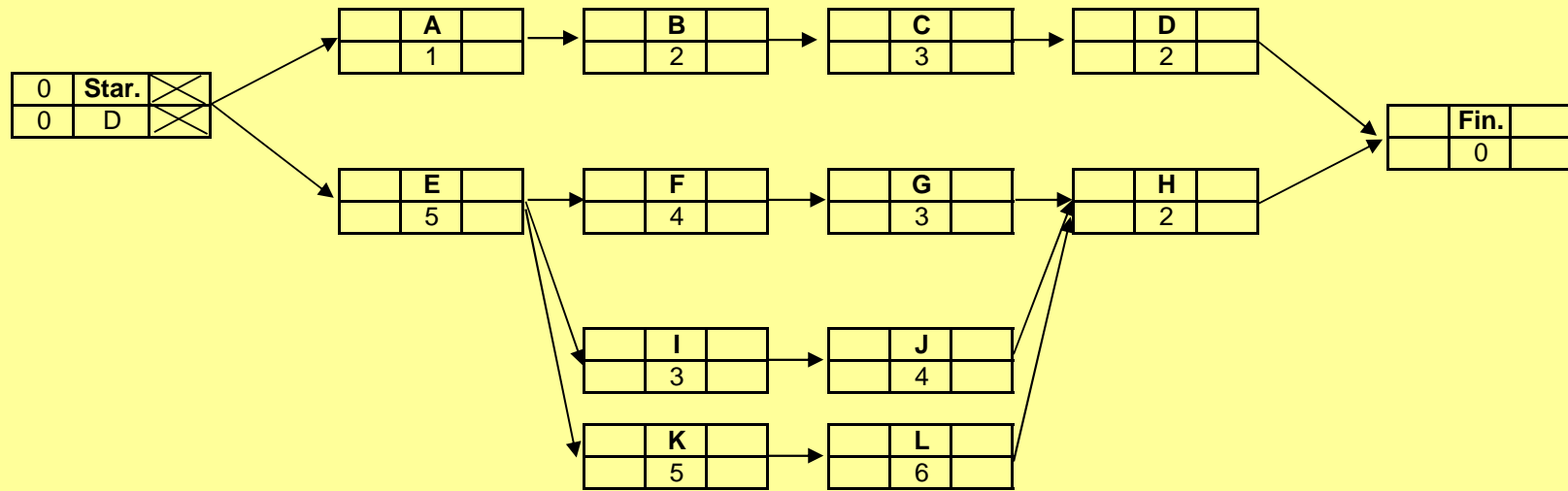


Calculate the Total float, ES, EF, LS & LF in the following logic
Also identify the critical path.

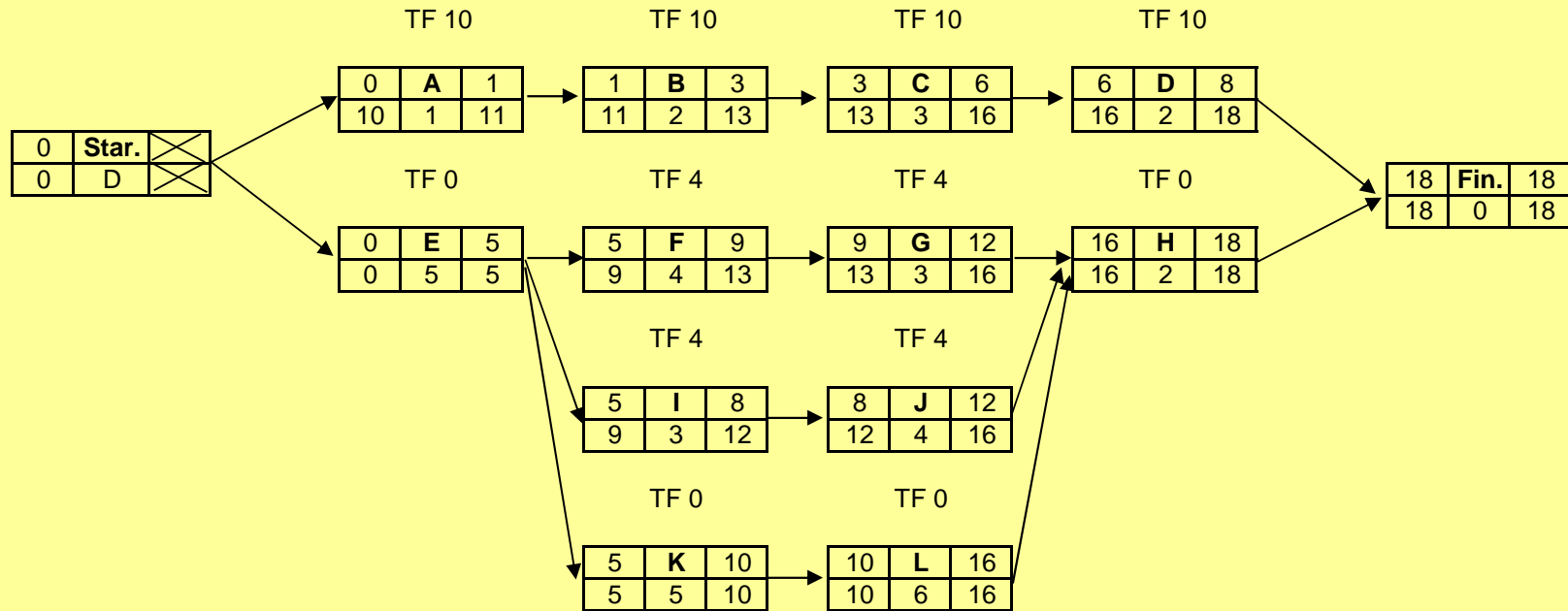


ES	A	EF
LS	D	LF

ES : Early start
 EF : Early finish
 LS : Late start
 LF : Late finish
 D : Duration
 A : Activity ID

Note : Assume there are no holidays during the above duration.

Planning Exercise - Total Float, FPBP
SOLUTION



CRITICAL PATH : **St. E K L H Fin.**

ES & EF are calculates using forward pass technique

LS & LF are calculates using backward pass technique